



Miniature Spool Valve TS5322 Series

The TS5322 Series Mini Spool Valve is based on a balanced spool design, to create a fast “ON/OFF” fluid dispensing function that is not affected by fluid input pressure.

The spool action displaces a portion of the fluid back into the dispensing tip during shut off. This creates an automatic “suck-back” anti-drip feature.

An oil chamber is provided for use above the upper seal to create an additional liquid seal that will prevent moisture from being carried onto the spool. The design facilitates easy maintenance without the need for special tools.

The valve is designed to be opened by air pressure and closed by a return spring (single acting). A port is provided so that the valve may be connected for air closing without the spring (double acting).

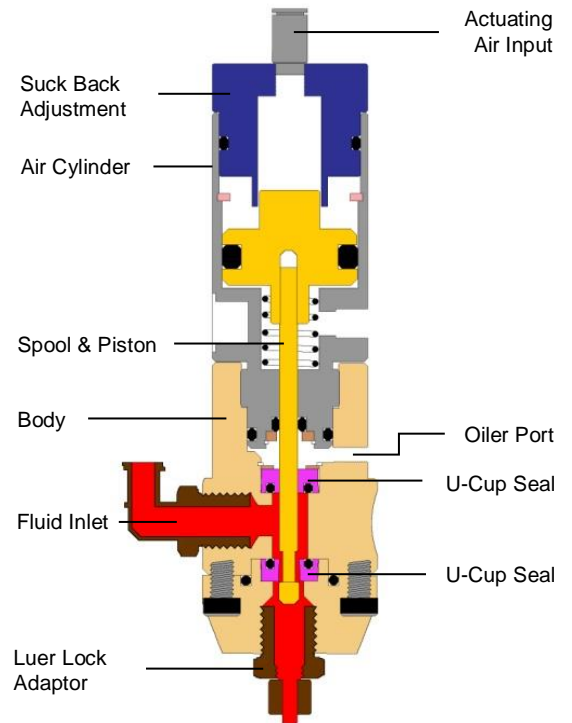
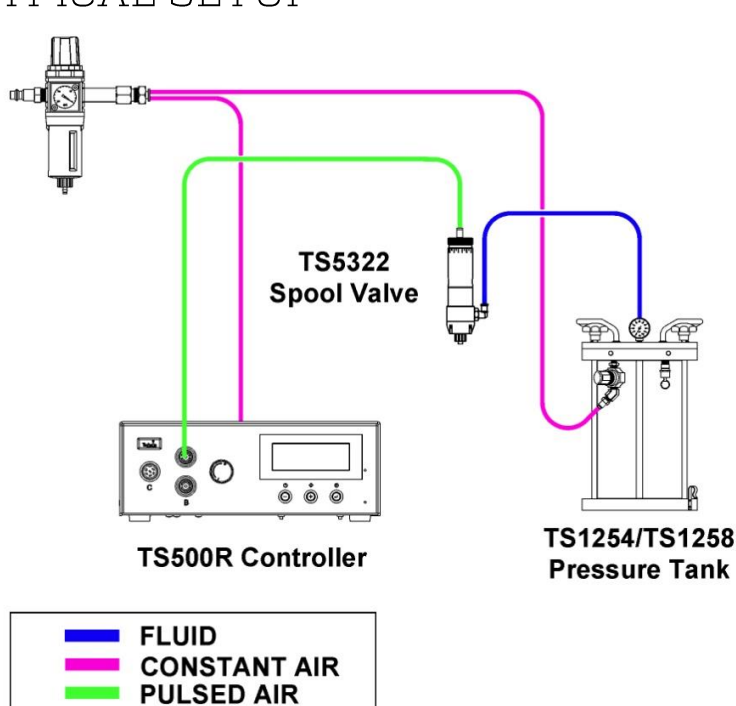
Key Features & Benefits

- Dispense precise shots of medium to high viscosity fluids
- Automatic “suck-back”
- Oiler port for moisture sensitive fluids
- Compatible with UV fluids (TS5322D)

Typical Applications

- Dispense beads of sealant to create form-in-place gaskets
- Dispensing small drops of oil into gear box
- Applying liquid flux, onto PCBA, during manufacturing process

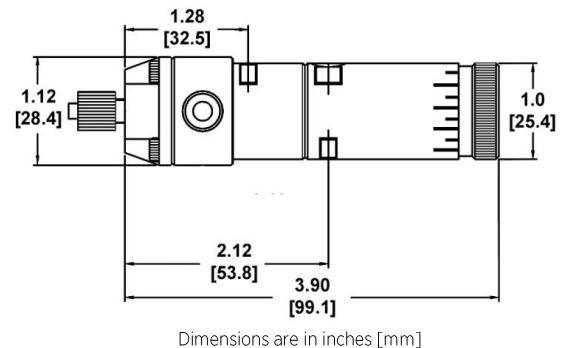
TYPICAL SETUP



SPECIFICATIONS & PART NUMBERS

	TS5322	TS5322D
Size (Imperial):	3.9" Length x 1.12"	3.9" Length x 1.12"
Size (Metric):	99.1mm x 28.4mm	99.1mm x 28.4mm
Weight:	0.31 lb (139g)	0.26 lb (119g)
Fluid Inlet Port:	1/8" NPT female	1/8" NPT female
Fluid Outlet Port:	Luer Lock male	Luer Lock male
Aux Air Inlet Port:	10-32 UNF female	10-32 UNF female
Activation Pressure:	70 psi (4.8bar) Min.	70 psi (4.8bar) Min.
Max Fluid Pressure:	500 psi (34.5bar)	100 psi (6.9bar)
Operating:	500+ cycles/min.	500+ cycles/min.
Mounting Port:	1/4-20 UNC-2B female	1/4-20 UNC-2B female
Viscosity Range:	1 - 1 000 000cps	1 - 300 000cps
Wetted Parts:	303 SS, Teflon®, Aluminum,	303 SS, Teflon®, Delrin®, EPR

Teflon® is a registered trademark of E.I. DuPont. Version 2.00



The valve is shipped with the following items:

- Mounting bracket kit
- Valve air hose
- Luer lock fluid line
- Fluid inlet fittings - 1/4" compression and Luer lock type
- Dispensing tip selection pack

ACCESSORIES

- **Fluid reservoirs:** The valve can be fed from the TS1254 or TS1258 Pressure Tank, or from any size syringe barrel or cartridge.
- **Dispensing Tips:** Precision TT Series dispensing tips, from 14 - 27 gauge, are recommended for this valve type. For the complete dispensing tip offering please visit www.techconsystems.com

For Sales & Support

Techcon Corporate Headquarters
 10800 Valley View Street, Cypress
 California, 90630, USA.
 Tel: 1-714-230-2398
 E-mail: oemorders@okinternational.com

Techcon European Corporate Office
 Eagle Close, Chandler's Ford Industrial Estate,
 Eastleigh, Hampshire, SO53 4NF, UK.
 Tel: +44 2380 489 100
 E-mail: europe-orders@okinternational.com